



UNX 8065

Application:

Entertainment Venue, Government Bodies, Tourist Attractions, Shopping Mall, Exhibition Hall, Churches, Museum, Aviation, Highway, Stadium, Terminal, Railway Station, Metro, Customs, Office Building, Campus, Hotels, Factories, Sports Center, etc.

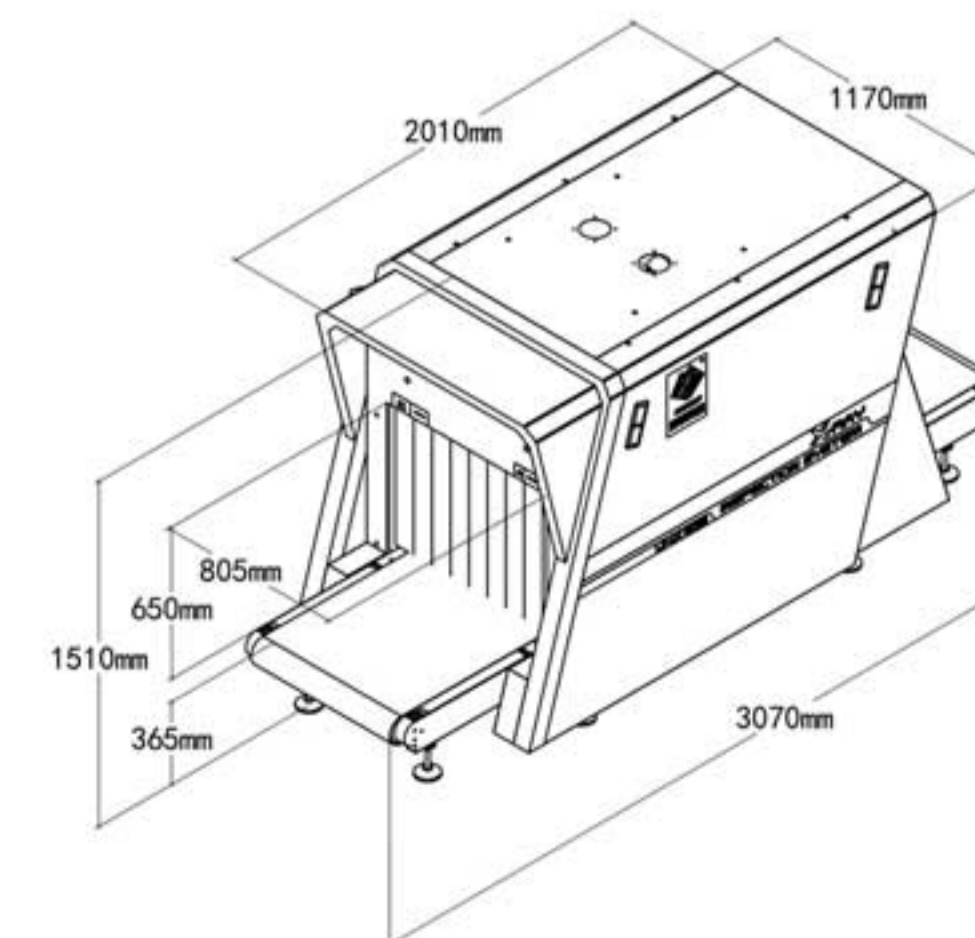
Product Features:

- Inspection Speed of 0.22m/s
- Steel penetration of 32mm
- Max. inspection object size of 800mm×650mm
- Remote technical support
- In compliance with international safety standards, X-ray dose rate is close to naturally occurring radiation
- Accurate material recognition: Orange for organic, blue for inorganic, green for metal and compound
- Affiliated explosives and narcotics detection enables auto-alert upon the presence of explosives and narcotics

Technical Specifications:

X-ray Baggage Scanner for Aviation/Customs/Shopping Mall/Ports	
System Parameters	
Dimensions	3070mmx1170mmx1510mm(L*W*H)
Tunnel Size	800x650mm
Weight	1100kg
Conveyor Height	330±30mm
Inspection Speed	0.22m/s
Max. Load Weight	150kg
Resolution	40AWG (φ=0.0787mm metal wire)
Penetration	36mm (Typical) 32mm (Standard)
Radiation Safety	Meets film safety ISO 1600
Radiation Leakage	< 0.21μGy/h (5cm away from the housing)
X-ray Generator	
Anode Voltage	140kV-160kV (Adjustable)
Cooling Cycle	Sealed Oil Cooling & 100%
Single Inspection Dose	< 2.4μGy
Imaging System	
X-ray Detector	Photodiode
Gray Level	4096
Monitor	19"
Image Processing System	
Image Enhancement	*Black and white *Inverse *High-energy penetration *Low-energy penetration *Super-enhancement *Elimination of organic or inorganic substances *Variable absorption rate *Pseudo-color *Arbitrary selection (user selected ROI zoom) (64X image magnification/no loss of resolution)
Recognition	Orange for organic matter, blue for inorganic, green for metal and compound
Image Playback	50 inspected images could be replayed
Storage Capacity	No less than 100 thousand pieces of image
Additional Features	
*Date/time display *Baggage counter *User management *System operation clock	
Standard Functions *X-ray on clock *POST *Image storage & retrieval *Diagnosis & maintenance *Dual-scan *Image recognition training *Cloud data storage and analysis	
Optional Functions *High density area alarm *Explosives and drugs auxiliary examination *Dangerous goods image insertion	
Installation Requirements	
Operation/Storage Temperature	0~40°C/-5~50°C
Humidity	10%~90% (No condensation)
Power Supply	220VAC±5% 50Hz/60Hz

Machine Footprint:



Note: The above pictures and parameters for reference only, the actual quotation and sales contract shall prevail